

QUICK TOUR

Accurate Tracking | Easy Installation



① Functions and Product parameters

- ◆ GPS continuous positioning and GPRS timing report
- ◆ illegal cutting line alarm ◆ Support SMS query
- ◆ Intelligent anti-theft ◆ Cut and resume oil remotely
- ◆ Vibration/Displacement/Power off/over speed alert

Frequency	GSM 850/900/1800/1900MHz
Networks	GSM/GPRS
Backup Battery	3.7V 80mAh
Operating voltage	10-40V
Location time	Cold start 35s-80s Hot start 1s
Location accuracy	5 meters
Operating temperature	-20℃~+55℃
Dimension	31*31*57mm
Weight	29.3g

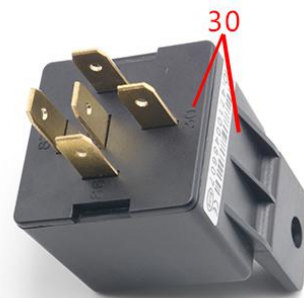
NOTE: When the equipment in power saving sleep mode, the light will turn off after about 10 minutes(settable) without any operation.

② Start up

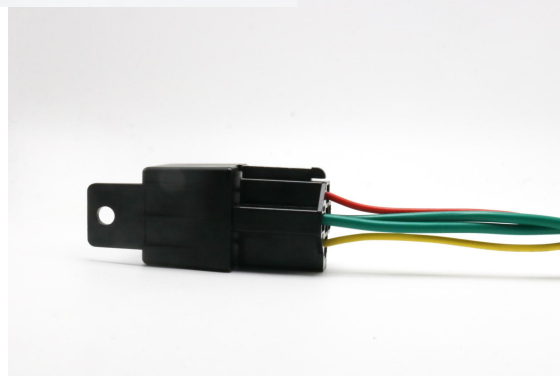
Picture 1



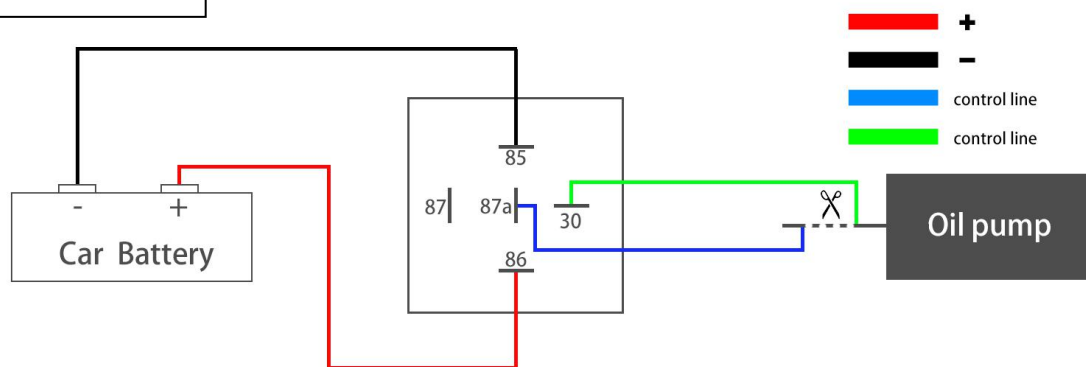
Picture 2



Picture 3



Picture 4



(I) Open the cover, Insert a mini SIM card support GSM/GPRS network into the slot and make sure the chip side is up.

(II) Connect cable follow above picture.

(III) Set admin number,by sending a SMS command to the SIM card inside device.

For example: admin123456 +86186***** (+86186*****should be your phone number)

(IV) Set APN: APN123456 CMNET (please use your local APN instead of CMNET,if you do not know the APN content,you should contact your SIM card supplier)

③ More Commands

Function	Command Format	Reply	Delete	for example
APN	apn+123456+space+content	apn ok		apn123456 cmnet
	apnuser+123456+space+content	apnuser ok		
	apnpasswd+123456+space+content	apnpasswd ok		
admin number	admin123456+space+admin phone number	admin ok	noadmin 123456	admin123456 186*****
time zone	timezone+123456+space+GMT No.	timezone ok		timezone123456 +1
time sleep	sleep123456 time	sleep time ok		
shock sleep(default)	sleep123456 shock	sleep shock ok		
no sleep	sleep123456 off	sleep off ok		
upload frequency	upload123456+space+time	upload ok		upload123456 10
Cut and resume oil	555	Cut oil OK	666	
Arm&Disarm	111 or SF	Arm delay in 0s	000 or CF	
Position	G123456# or where	Google map		
Restart	rst	restart ok		
Back to factory	format	No reply		

4. Web platform and sever ip&port

Website	Sever IP	Port
www.zg666gps.com	211.162.69.241	7700

5.Login by Tracking Website and Phone APP

Login by Website:

A,Open the website www.zg666gps.com

B,Login by username or the IMEI/ID, the default password "123456" and Clink "GO"



A,Download Phone APP:

Method: Scan below QR to download;



Select "Log in by IMEI" on the bottom of screen

Server: www.zg666gps.com

IMEI/ID : on the back side of device

Password: 123456

6. Faults & The solutions

Faults	Solution
Startup Fail	Check the battery and see if it is fully charged or correctly installed.
Hang up Fail	In existence of an authorized number, an unauthorized number dials up the unit. Please initialize the unit and re-set up the authorized numbers.
Monitoring failure	Please check the authorization number is set to the correct time
No GSM Signal	Please make sure SIM Card is GSM Net and installed correctly; also call display should be on; but no call transfer and PIN code off.